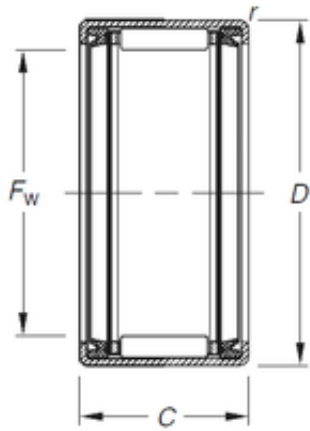




BEARING USA CORP.

Timken HK5024.2RS needle roller bearings



Bearing No. HK5024.2RS

Size	50x58x24 mm
Bore Diameter	50 mm
Outer Diameter	58 mm
Width	24 mm
Fw	50 mm
D	58 mm
C	24 mm
r	1 mm
Weight	0,083 Kg
Basic dynamic load rating (C)	28,8 kN
Basic static load rating (C0)	56,6 kN

HK5024.2RS Bearing 2D drawings and 3D CAD models