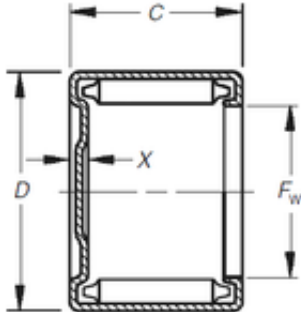




BEARING USA CORP.

Timken M-32241 needle roller bearings



Bearing No. M-32241

Size	50.8x60.325x38.1 mm
Bore Diameter	50,8 mm
Outer Diameter	60,325 mm
Width	38,1 mm
Fw	50,8 mm
D	60,325 mm
C	38,1 mm
C1	3,05 mm
Weight	0,211 Kg
Basic dynamic load rating (C)	85 kN
Basic static load rating (C0)	228 kN
(Grease) Lubrication Speed	2100 r/min

M-32241 Bearing 2D drawings and 3D CAD models