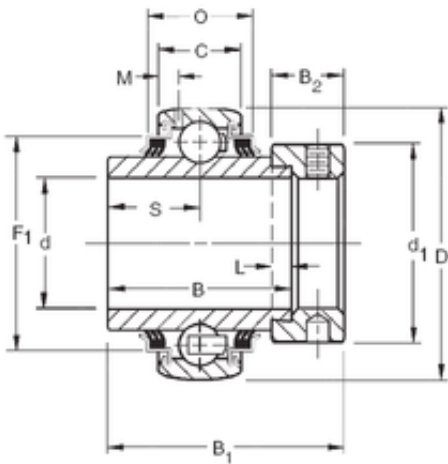




BEARING USA CORP.

41,275 mm x 80 mm x 42,86 mm Timken
G1110KPPB4 deep groove ball bearings



Bearing No. G1110KPPB4

Size	41.275x80x42.86 mm
Bore Diameter	41,275 mm
Outer Diameter	80 mm
Width	42,86 mm
d	41,275 mm
D	80 mm
B	42,86 mm
C	21 mm
O	23,44 mm
d1	60,3 mm
B1	56,4 mm
B2	18,3 mm
L	4,8 mm
M	5,66 mm
S	21,4 mm
F1	67,79 mm
Weight	0,898 Kg
Basic dynamic load rating (C)	20,5 kN

G1110KPPB4 Bearing 2D drawings and 3D CAD models