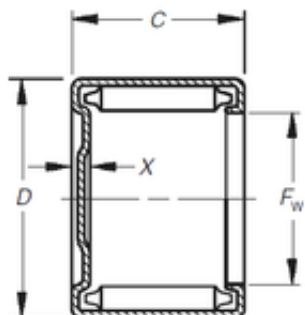




BEARING USA CORP.

Timken MH-13121 needle roller bearings



Bearing No. MH-13121

Size	20.638x28.575x19.05 mm
Bore Diameter	20,638 mm
Outer Diameter	28,575 mm
Width	19,05 mm
Fw	20,638 mm
D	28,575 mm
C	19,05 mm
C1	2,79 mm
Weight	0,039 Kg
Basic dynamic load rating (C)	24,2 kN
Basic static load rating (C0)	38,97 kN
(Grease) Lubrication Speed	4100 r/min

MH-13121 Bearing 2D drawings and 3D CAD models