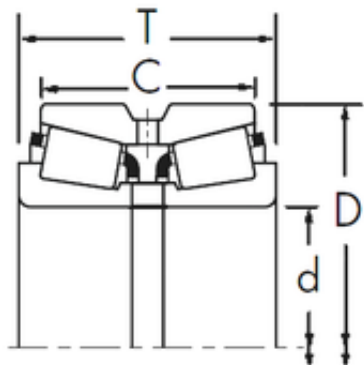




BEARING USA CORP.

Timken 567A/563D+X1S-567A tapered roller bearings

Bearing No. 567A/563D+X1S-567A



Size	71.438x127x80.962 mm
Bore Diameter	71,438 mm
Outer Diameter	127 mm
Width	80,962 mm
d	71,438 mm
D	127 mm
T	80,962 mm
C	65,088 mm
R	3,5 mm
r	1,5 mm

567A/563D+X1S-567A Bearing 2D drawings and 3D CAD models