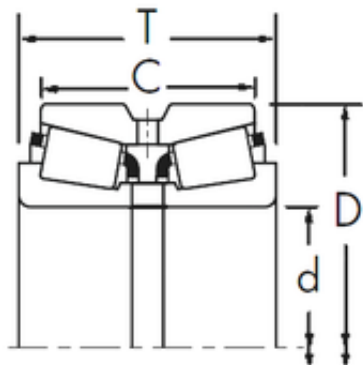




BEARING USA CORP.



Timken
HM926749/HM926710D+HM926749XE tapered
roller bearings

Bearing No. HM926749/HM926710D+HM926749XE

Size	127.792x228.6x115.888 mm
Bore Diameter	127,792 mm
Outer Diameter	228,6 mm
Width	115,888 mm
d	127,792 mm
D	228,6 mm
T	115,888 mm
C	84,138 mm
R	3,5 mm
r	2,3 mm

HM926749/HM926710D+HM926749XE Bearing 2D
drawings and 3D CAD models