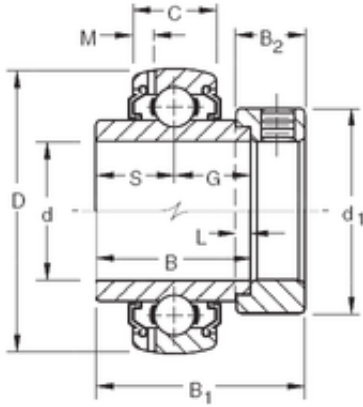




BEARING USA CORP.

19.05 mm x 47 mm x 34,13 mm Timken
G1012KLLB deep groove ball bearings



Bearing No. G1012KLLB

Size	19.05x47x34.13 mm
Bore Diameter	19.05 mm
Outer Diameter	47 mm
Width	34,13 mm
d	19.05 mm
D	47 mm
B	34,13 mm
C	14 mm
d1	33,3 mm
B1	43,7 mm
B2	13,5 mm
G	17,1 mm
L	4 mm
M	3,43 mm
S	17,1 mm
Weight	0,2 Kg
Basic dynamic load rating (C)	14,3 kN

G1012KLLB Bearing 2D drawings and 3D CAD models