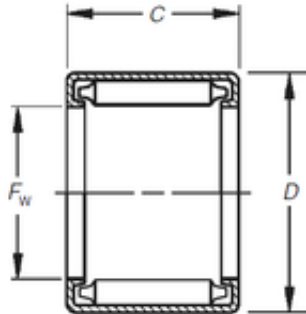




BEARING USA CORP.

Timken B-2812 needle roller bearings



Bearing No. B-2812

Size	44.45x53.975x19.05 mm
Bore Diameter	44,45 mm
Outer Diameter	53,975 mm
Width	19,05 mm
Fw	44,45 mm
D	53,975 mm
C	19,05 mm
Weight	0,082 Kg
Basic dynamic load rating (C)	39,3 kN
Basic static load rating (C0)	81,4 kN
(Grease) Lubrication Speed	2400 r/min

B-2812 Bearing 2D drawings and 3D CAD models