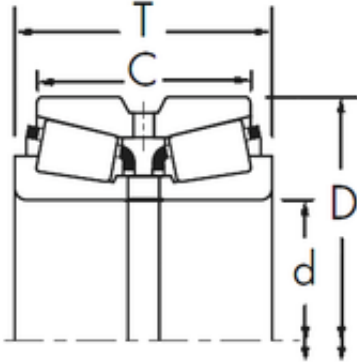




BEARING USA CORP.

Timken L507949/L507914D+L507949XS tapered roller bearings

Bearing No. L507949/L507914D+L507949XS



L507949/L507914D+L507949XS Bearing 2D drawings
and 3D CAD models

| | |
|----------------|-----------------------|
| Size | 57.15x92.075x42.07 mm |
| Bore Diameter | 57,15 mm |
| Outer Diameter | 92,075 mm |
| Width | 42,07 mm |
| d | 57,15 mm |
| D | 92,075 mm |
| T | 42,07 mm |
| C | 34,13 mm |
| R | 1,5 mm |
| r | 0,8 mm |