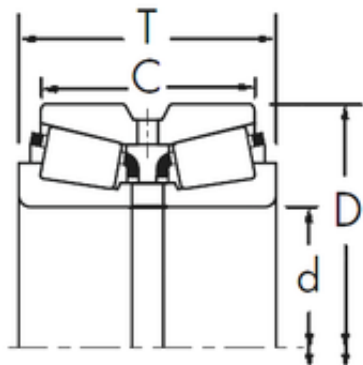




BEARING USA CORP.

Timken 64450/64700DC+X1S-64450 tapered roller bearings

Bearing No. 64450/64700DC+X1S-64450



64450/64700DC+X1S-64450 Bearing 2D drawings and 3D CAD models

Size	114.3x177.8x92.075 mm
Bore Diameter	114,3 mm
Outer Diameter	177,8 mm
Width	92,075 mm
d	114,3 mm
D	177,8 mm
T	92,075 mm
C	69,85 mm
R	3,5 mm
r	0,8 mm