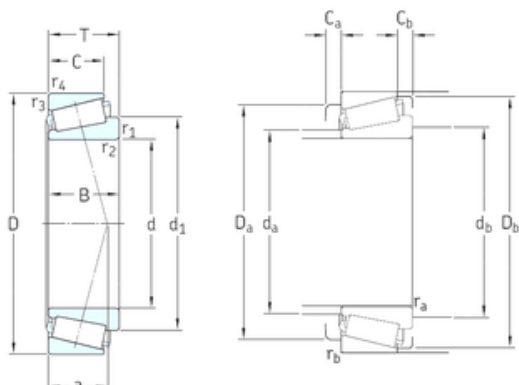




BEARING USA CORP.



26,988 mm x 50,292 mm x 14,732 mm SKF
L44649/610/Q tapered roller bearings

Bearing No. L44649/610/Q

Size	26.988x50.292x14.224 mm
Bore Diameter	26,988 mm
Outer Diameter	50,292 mm
Width	14,224 mm
d	26,988 mm
D	50,292 mm
T	14,224 mm
B	14,732 mm
C	10,668 mm
a	11 mm
d1	10,6 mm
r1 min.	3,5 mm
r2 min.	3,5 mm
r3 min.	1,3 mm
r4 min.	1,3 mm
Ca min.	2 mm
Cb min.	3,5 mm
da max	33 mm
Da min	43,5 mm
Da max.	44 mm
db min	38 mm
Db min.	47 mm
ra max.	3,3 mm
rb max.	1,3 mm
Weight	0,11 Kg

L44649/610/Q Bearing 2D drawings and 3D CAD models



BEARING USA CORP.

Basic dynamic load rating (C)	26 kN
Basic static load rating (C0)	30 kN
Fatigue load limit (Pu)	3
Reference speed	10000 r/min
Limiting speed	15000 r/min
Calculation factor (e)	0,37
Calculation factor (Y)	1,6