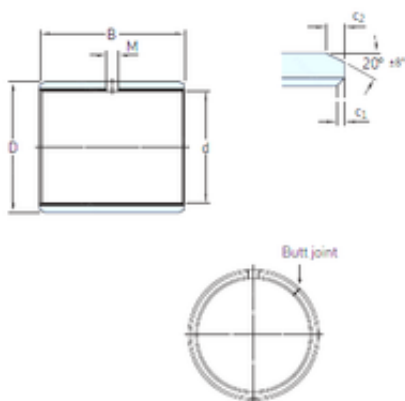




# BEARING USA CORP.

## 12,7 mm x 15,081 mm x 15,875 mm SKF PCZ 0810 E plain bearings



Bearing No. PCZ 0810 E

Size	12.7x15.081x15.875 mm
Bore Diameter	12,7 mm
Outer Diameter	15,081 mm
Width	15,875 mm
d	12,7 mm
D	15,081 mm
B	15,875 mm
c1 min	0,1 mm
c2 min	0,2 mm
M	– mm
Weight	0,0061 Kg
Basic dynamic load rating (C)	16 kN
Category	Bearings
Inventory	0.0
Manufacturer Name	SKF
Minimum Buy Quantity	N/A
Weight / Kilogram	0.011
Product Group	B04264
c <sub>1</sub> min.	0.1 mm
c <sub>1</sub> max.	0.6 mm
c <sub>2</sub> min.	0.2 mm
c <sub>2</sub> max.	1 mm
± 8	20 °
Shaft diameter range min.	12.649 mm
Shaft diameter range max.	12.675 mm

PCZ 0810 E Bearing 2D drawings and 3D CAD models



## BEARING USA CORP.

Housing bore range min.	15.072 mm
Housing bore range max.	15.09 mm
Basic dynamic load rating - radial direction C	16 kN
Basic static load rating - radial direction $C_0$	50 kN
Specific dynamic load factor K	80 N/mm <sup>2</sup>
Specific static load factor $K_0$	250 N/mm <sup>2</sup>
Factor depending on material and bearing type $K_M$	480
Permissible sliding velocity v min.	0 m/s
Permissible sliding velocity v max.	2 m/s
Coefficient of friction $\mu$ min.	0.03
Coefficient of friction $\mu$ max.	0.25
Mass bushing	0.0061 kg