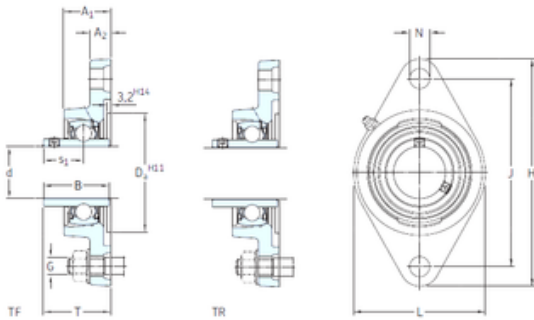




# BEARING USA CORP.

## SKF FYTJ 35 TF bearing units



Bearing No. FYTJ 35 TF

Bore Diameter	35 mm
d	35 mm
Da	88,9 mm
s1	25,4 mm
A1	34 mm
B	42,9 mm
G	14 mm
H	161 mm
J	130 mm
L	96 mm
N	16 mm
T	44,4 mm
A2	16 mm
Weight	1,15 Kg
Basic dynamic load rating (C)	25,5 kN
Basic static load rating (C0)	15,3 kN
Fatigue load limit (Pu)	0,655
Category	Bearings
Inventory	0.0
Manufacturer Name	SKF
Minimum Buy Quantity	N/A
UNSPSC	31171501
Weight / Kilogram	1.274
EAN	7316570914238
Product Group	M06110
Housing material	Cast iron

FYTJ 35 TF Bearing 2D drawings and 3D CAD models



## BEARING USA CORP.

$D_a$	88.9 mm
$D_{b1}$	87 mm
$D_{b2}$	96 mm
A	34 mm
$A_1$	16 mm
$A_3$	3.2 mm
$B_4$	6 mm
$s_1$	25.4 mm
$R_G$	1/4-28 UNF
$R_1$	20.5 mm
R	45 °
$D_N$	6.5 mm
$SW_N$	7 mm
$G_N$	1/4-28 SAE-LT
$J_6$	106 mm
$J_7$	15 mm
$N_4$	2 mm
Basic dynamic load rating C	25.5 kN
Basic static load rating $C_0$	15.3 kN
Fatigue load limit $P_u$	0.655 kN
Limiting speed	5300 r/min
Mass bearing unit	1.25 kg
Thread grub screw $G_2$	M6x0.75
Hexagonal key size for grub screw N	3 mm
Recommended tightening torque for grub screw	4 N · m
Recommended diameter for attachment bolts, mm G	14 mm
Recommended diameter for attachment bolts, inch G	0.5625 in
Housing	FYTJ 507
Bearing	YAR 207-2F



# BEARING USA CORP.