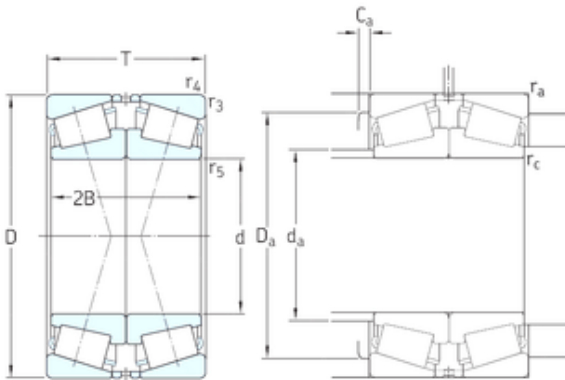




BEARING USA CORP.

190 mm x 260 mm x 45 mm SKF 32938/DF tapered roller bearings

Bearing No. 32938/DF



32938/DF Bearing 2D drawings and 3D CAD models

Size	190x260x90 mm
Bore Diameter	190 mm
Outer Diameter	260 mm
Width	90 mm
d	190 mm
D	260 mm
T	90 mm
B	45 mm
r3 min.	2 mm
r4 min.	2 mm
r5 min.	0,6 mm
2B	90 mm
Ca max.	8 mm
da max	204 mm
Da min	235 mm
Da max.	248 mm
ra max.	2 mm
rc max.	0,6 mm
Weight	14,5 Kg
Basic dynamic load rating (C)	616 kN
Basic static load rating (C0)	1530 kN
Fatigue load limit (Pu)	143
Reference speed	1300 r/min
Limiting speed	2400 r/min
Calculation factor (e)	0,48



BEARING USA CORP.

Calculation factor (Y0)	1,4
Calculation factor (Y1)	1,4
b	10 mm
K	7.5 mm
r _{3,4} min.	2 mm
r ₅ min.	0.6 mm
d _a max.	205 mm
D _a min.	235 mm
D _a max.	248 mm
C _a min.	8 mm
r _a max.	2 mm
r _c max.	0.6 mm
Basic dynamic load rating C	760 kN
Basic static load rating C ₀	1530 kN
Fatigue load limit P _u	143 kN
Calculation factor e	0.48
Calculation factor Y ₁	1.4
Calculation factor Y ₂	2.1
Calculation factor Y ₀	1.4
Mass bearing pair	14.5 kg