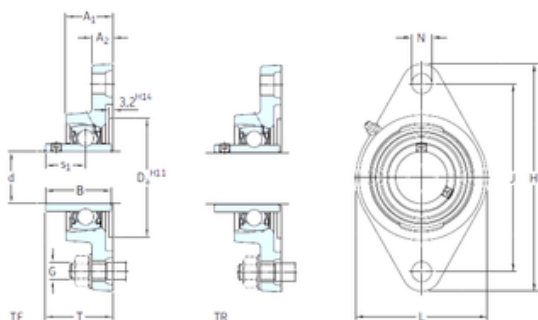




BEARING USA CORP.

SKF FYTB 35 TF bearing units

Bearing No. FYTB 35 TF



FYTB 35 TF Bearing 2D drawings and 3D CAD models

Bore Diameter	35 mm
d	35 mm
Da	88,9 mm
s1	25,4 mm
A1	34,5 mm
B	42,9 mm
G	12 mm
H	156 mm
J	130 mm
L	96 mm
N	14 mm
T	46,4 mm
A2	13 mm
Weight	1,25 Kg
Basic dynamic load rating (C)	25,5 kN
Basic static load rating (C0)	15,3 kN
Fatigue load limit (Pu)	0,655
Category	Flange Block Bearings
Inventory	0.0
Manufacturer Name	SKF
Minimum Buy Quantity	N/A
Weight / Kilogram	1.25
Product Group	M06110
Number of Mounting Holes	2
Mounting Method	Set Screw
Housing Style	2 Bolt Flange Block



BEARING USA CORP.

Rolling Element	Ball Bearing
Housing Material	Cast Iron
Expansion / Non-expansion	Non-expansion
Mounting Bolts	12 Millimeter
Relubricatable	Yes
Insert Part Number	YAR 207-2F
Seals	M Seal
Housing Configuration	1 Piece Solid
Pilot Configuration	No Pilot
Inch - Metric	Metric
Long Description	2 Bolt Flange Block; 35MM Bore; 130MM Bolt Circle; 130MM Bolt Spacing; 1 Piece Solid; Set Screw Mount; Cast Iron; Ball Bearing; 42.9MM Length Thru Bore; Relubricatable; M Seal Seals
Other Features	Single Row Standard Duty Wide Inner Race Open End Has Flinger Y Bearing
Category	Flange Block
UNSPSC	31171501
Harmonized Tariff Code	8483.20.40.40
Noun	Bearing
Keyword String	Flanged
Manufacturer URL	http://www.skf.com
Manufacturer Item Number	FYTB 35 TF
Weight / LBS	2.76
Bolt Spacing	5.118 Inch 130 Millimeter
Length Thru Bore	1.689 Inch 42.9 Millimeter
Cartridge Pilot Depth	0 Inch 0 Millimeter
Bore	1.378 Inch 35 Millimeter
Cartridge Pilot Diameter	0 Inch 0 Millimeter



BEARING USA CORP.

Nominal Bolt Circle Diameter Round	5.1 Inch 130 Millimeter
bore diameter:	35 mm
radial static load capacity:	15.3 kN
bolt center-to-center length:	130 mm
length through bore:	46.4 mm
overall length/diameter:	96 mm
finish/coating:	Uncoated
bore type:	Round
maximum rpm:	5300 RPM
mounting type:	Two-Bolt Flange
lubrication type:	Lubrication Fitting
housing material:	Cast Iron
series:	FYTB
locking device:	Set Screw
replacement bearing:	YAR 207-2F
expansion type:	Non-Expansion Bearing (Fixed)
manufacturer upc number:	7316577029287
radial dynamic load capacity:	25.5 kN
Housing material	Cast iron
D_a	88.9 mm
D_{b1}	88 mm
D_{b2}	96 mm
A	34.5 mm
A_1	13 mm
A_3	3.2 mm
A_5	22 mm
B_4	6 mm
s_1	25.4 mm
R_G	1/4-28 UNF
R_1	22 mm



BEARING USA CORP.

R	45 °
D_N	6.5 mm
SW_N	7 mm
G_N	1/4-28 SAE-LT
J_6	106 mm
J_7	15 mm
N_4	2 mm
Basic dynamic load rating C	25.5 kN
Basic static load rating C_0	15.3 kN
Fatigue load limit P_u	0.655 kN
Limiting speed	5300 r/min
Mass bearing unit	1.15 kg
Thread grub screw G_2	M6x0.75
Hexagonal key size for grub screw N	3 mm
Recommended tightening torque for grub screw	4 N · m
Recommended diameter for attachment bolts, mm G	12 mm
Recommended diameter for attachment bolts, inch G	0.5 in