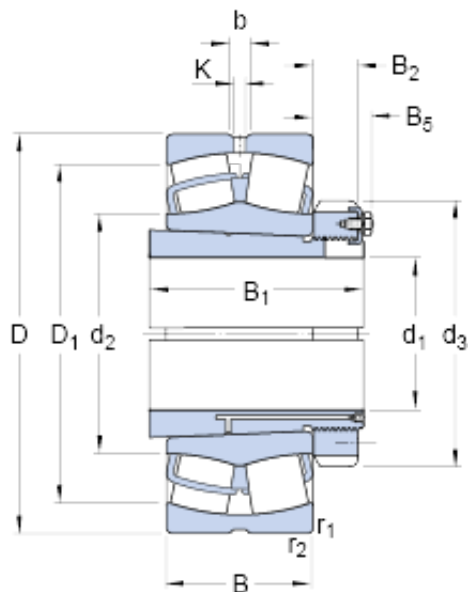




BEARING USA CORP.

SKF 23184 CKJ/W33 + OH 3184 H tapered roller bearings

Bearing No. 23184 CKJ/W33 + OH 3184 H



23184 CKJ/W33 + OH 3184 H Bearing 2D drawings and 3D CAD models

Size	700x400x224 mm
Bore Diameter	700 mm
Outer Diameter	400 mm
Width	224 mm
d_1	400 mm
D	700 mm
B	224 mm
d_2	483 mm
d_3	540 mm
D_1	607 mm
B_1	304 mm
B_2	70 mm
B_5	90 mm
b	22.3 mm
K	12 mm
$r_{1,2}$ - min.	6 mm
d_a - max.	483 mm
d_b - min.	443 mm
D_a - max.	674 mm
B_a - min.	16 mm
r_a - max.	5 mm
Basic dynamic load rating - C	5919 kN
Basic static load rating - C_0	9300 kN



BEARING USA CORP.

Fatigue load limit - P_u	620 kN
Reference speed	480 r/min
Limiting speed	900 r/min
Calculation factor - e	0.3
Calculation factor - Y_1	2.3
Calculation factor - Y_2	3.4
d_1	400 mm
d_2	483 mm
d_3	540 mm
D_1	607 mm
B_1	304 mm
B_2	70 mm
B_5	90 mm
$r_{1,2}$ min.	6 mm
d_a max.	483 mm
d_b min.	443 mm
D_a max.	674 mm
B_a min.	16 mm
r_a max.	5 mm
Basic dynamic load rating C	5919 kN
Basic static load rating C_0	9300 kN
Fatigue load limit P_u	620 kN
Calculation factor e	0.3
Calculation factor Y_1	2.3
Calculation factor Y_2	3.4
Calculation factor Y_0	2.2
Mass bearing + sleeve	410 kg