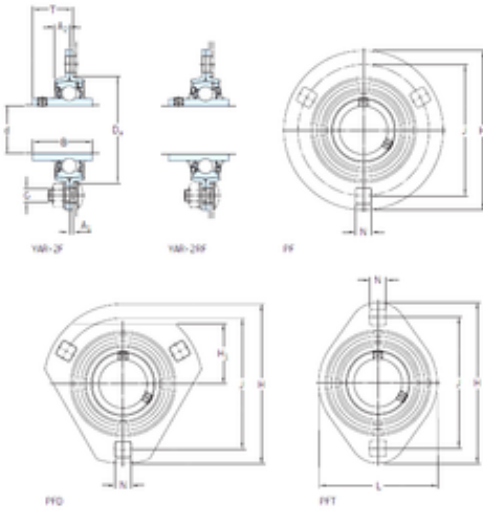




BEARING USA CORP.



PFD 40 TR Bearing 2D drawings and 3D CAD models

SKF PFD 40 TR bearing units

Bearing No. PFD 40 TR

Bore Diameter	40 mm
Width	49,2 mm
d	40 mm
Da	91 mm
A1	3,5 mm
B	49,2 mm
G	12 mm
H	148 mm
H1	53 mm
J	119 mm
L	–
N	13,5 mm
T	33,7 mm
A2	10 mm
Weight	1 Kg
Basic dynamic load rating (C)	30,7 kN
Basic static load rating (C0)	19 kN
Housing material	Pressed steel
A ₁	3.5 mm
A ₂	10 mm
B ₄	8 mm
D _a min.	87 mm
H ₁	53 mm
s ₁	30.2 mm
Basic dynamic load rating C	30.7 kN
Basic static load rating C ₀	19 kN



BEARING USA CORP.

Fatigue load limit P_u	0.8 kN
Permissible radial housing load max.	7.5 kN
Mass unit	1 kg
Thread grub screw G_2	M8x1
Hexagonal key size for grub screw N	4 mm
Recommended tightening torque for grub screw	6.5 N · m
Recommended diameter for attachment bolts, mm G	12 mm
Recommended diameter for attachment bolts, inch G	0.5 in