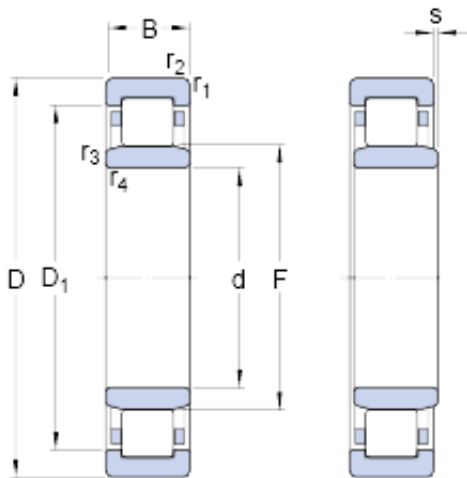




BEARING USA CORP.



95 mm x 170 mm x 32 mm SKF NU 219 ECM/C3VL0241 cylindrical roller bearings

Bearing No. NU 219 ECM/C3VL0241

NU 219 ECM/C3VL0241 Bearing 2D drawings and 3D
CAD models

Size	170x95x32 mm
Bore Diameter	170 mm
Outer Diameter	95 mm
Width	32 mm
d	95 mm
D	170 mm
B	32 mm
D ₁	149 mm
F	112.5 mm
s	1.7 mm
r _{1,2} - min.	2.1 mm
r _{3,4} - min.	2.1 mm
d _a - min.	107 mm
d _a - max.	110 mm
d _b - min.	115 mm
D _a - min.	153.15 mm
D _a - max.	158 mm
r _a - max.	2 mm
r _b - max.	2 mm
Basic dynamic load rating - C	224 kN
Basic static load rating - C ₀	270 kN
Fatigue load limit - P _u	33.5 kN
Reference speed	4000 r/min
Limiting speed	4800 r/min



BEARING USA CORP.

Calculation factor - k_r	0.15
D_1	149 mm
s max.	1.7 mm
$r_{1,2}$ min.	2.1 mm
$r_{3,4}$ min.	2.1 mm
d_a min.	107 mm
d_a max.	110 mm
d_b min.	115 mm
D_a min.	153.15 mm
D_a max.	158 mm
r_a max.	2 mm
r_b max.	2 mm
Basic dynamic load rating C	224 kN
Basic static load rating C_0	270 kN
Fatigue load limit P_u	33.5 kN
Calculation factor k_r	0.15
Mass bearing	2.84 kg