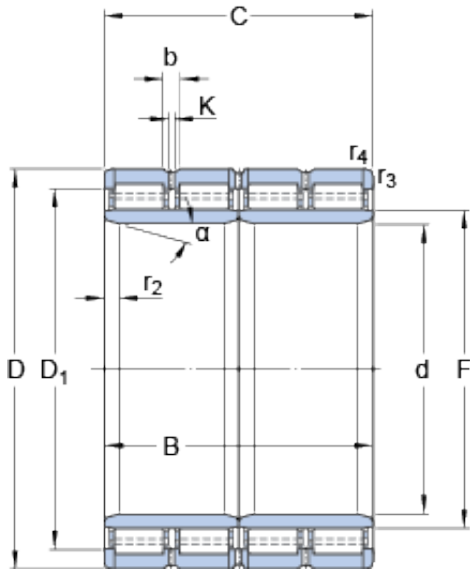




# BEARING USA CORP.

## 950 mm x 1360 mm x 1000 mm SKF 314520 C cylindrical roller bearings

Bearing No. 314520 C



314520 C Bearing 2D drawings and 3D CAD models

Size	1360x950x1000 mm
Bore Diameter	1360 mm
Outer Diameter	950 mm
Width	1000 mm
d	950 mm
D	1360 mm
B	1000 mm
C	1000 mm
D <sub>1</sub>	1229 mm
F	1075 mm
b	22.3 mm
K	12 mm
r <sub>1,2</sub> - min.	22 mm
	20 °
r <sub>3,4</sub> - min.	5 mm
Basic dynamic load rating - C	38000 kN
Basic static load rating - C <sub>0</sub>	110000 kN
Fatigue load limit - P <sub>u</sub>	6800 kN
Calculation factor - k <sub>r</sub>	800
Mass bearing	5020 kg
Design variant/feature	BC4.10/W33WI
D <sub>1</sub>	1244.2 mm
r <sub>1,2</sub> min.	22 mm
	20 °



## BEARING USA CORP.

$r_{3,4}$ min.	5 mm
Basic dynamic load rating C	38000 kN
Basic static load rating $C_0$	110000 kN
Fatigue load limit $P_u$	6800 kN
Calculation factor $k_r$	0