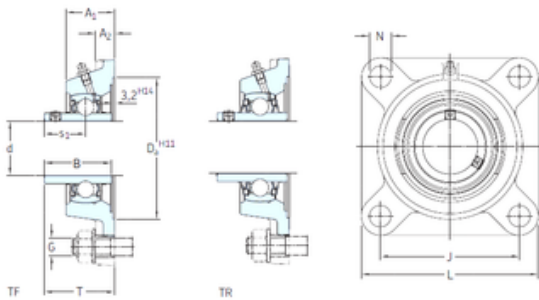




BEARING USA CORP.

SKF FY 1.5/8 TF bearing units

Bearing No. FY 1.5/8 TF



FY 1.5/8 TF Bearing 2D drawings and 3D CAD models

Bore Diameter	41,275 mm
Width	49,2 mm
d	41,275 mm
s1	30,2 mm
A1	39 mm
B	49,2 mm
G	14 mm
J	105 mm
L	137 mm
T	54,2 mm
A2	14 mm
Weight	2,2 Kg
Basic dynamic load rating (C)	33,2 kN
Basic static load rating (C0)	21,6 kN
Fatigue load limit (Pu)	0,915
Category	Flange Block Bearings
Inventory	0.0
Manufacturer Name	SKF
Minimum Buy Quantity	N/A
Weight / Kilogram	2.152
EAN	7316577755001
Product Group	M06110
Number of Mounting Holes	4
Mounting Method	Set Screw
Housing Style	4 Bolt Square Flange Block
Rolling Element	Ball Bearing



BEARING USA CORP.

Housing Material	Cast Iron
Expansion / Non-expansion	Non-expansion
Mounting Bolts	9/16 Inch
Relubricatable	Yes
Insert Part Number	YAR 209-110-2F
Seals	M Seal
Housing Configuration	1 Piece Solid
Pilot Configuration	No Pilot
Inch - Metric	Inch
Long Description	4 Bolt Square Flange Block; 1-5/8" Bore; 5.8" Bolt Circle; 4-1/8" Bolt Spacing; 1 Piece Solid; Set Screw Mount; Cast Iron; Ball Bearing; 1-15/16" Length Thru Bore; Relubricatable;
Other Features	Single Row Standard Duty Wide Inner Race Open End Has Flinger Y Bearing
Category	Flange Block
UNSPSC	31171501
Harmonized Tariff Code	8483.20.40.40
Noun	Bearing
Keyword String	Flanged
Manufacturer URL	http://www.skf.com
Manufacturer Item Number	FY 1.5/8 TF
Weight / LBS	5
Nominal Bolt Circle Diameter Round	5.8 Inch 148 Millimeter
Cartridge Pilot Diameter	0 Inch 0 Millimeter
Cartridge Pilot Depth	0 Inch 0 Millimeter
Bolt Spacing	4.125 Inch 104.78 Millimeter
Bore	1.625 Inch 41.275 Millimeter



BEARING USA CORP.

Length Thru Bore	1.938 Inch 49.225 Millimeter
Housing material	Cast iron
D_a	119.1 mm
D_{b1}	102 mm
D_{b2}	112 mm
A	39 mm
A_1	14 mm
A_3	3.2 mm
A_5	26.5 mm
N	16 mm
s_1	30.2 mm
R_G	1/4-28 UNF
R_1	24.5 mm
D_N	6.5 mm
SW_N	7 mm
G_N	1/4-28 SAE-LT
J_6	123 mm
J_7	33.5 mm
N_4	4 mm
Basic dynamic load rating C	33.2 kN
Basic static load rating C_0	21.6 kN
Fatigue load limit P_u	0.915 kN
Limiting speed	4300 r/min
Mass bearing unit	2.05 kg
Thread grub screw G_2	5/16-24 UNF
Hexagonal key size for grub screw N	3.969 mm
Recommended tightening torque for grub screw	6.5 N · m
Recommended diameter for attachment bolts, mm G	14 mm
Recommended diameter for attachment bolts, inch G	0.5625 in



BEARING USA CORP.

Housing	FY 509 M
Bearing	YAR 209-110-2F
End cover	ECY 209