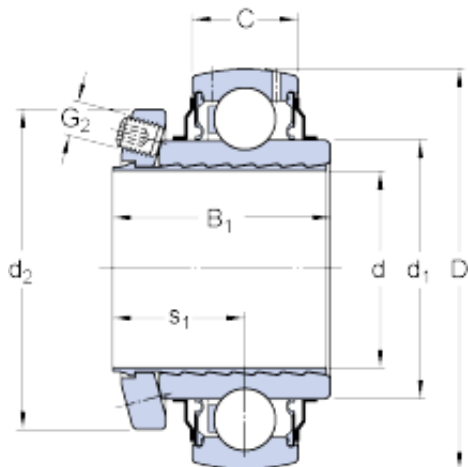




## BEARING USA CORP.

### SKF E2.YSP 208-108 SB-2F deep groove ball bearings

Bearing No. E2.YSP 208-108 SB-2F



E2.YSP 208-108 SB-2F Bearing 2D drawings and 3D CAD models

Size	80x38.1x42.9 mm
Bore Diameter	80 mm
Outer Diameter	38,1 mm
Width	42,9 mm
d	38.1 mm
D	80 mm
B <sub>1</sub>	42.9 mm
C	21 mm
d <sub>1</sub>	51.8 mm
d <sub>2</sub>	62 mm
s <sub>1</sub>	25.9 mm
Basic dynamic load rating - C	30.7 kN
Basic static load rating - C <sub>0</sub>	19 kN
Fatigue load limit - P <sub>u</sub>	0.8 kN
Limiting speed	5600 r/min
Calculation factor - f <sub>0</sub>	14
Mass bearing	0.58 kg
Thread - G <sub>2</sub>	M6
Hexagonal key size for grub screw - H	3 mm
Recommended tightening torque for grub screw	7.4 N · m