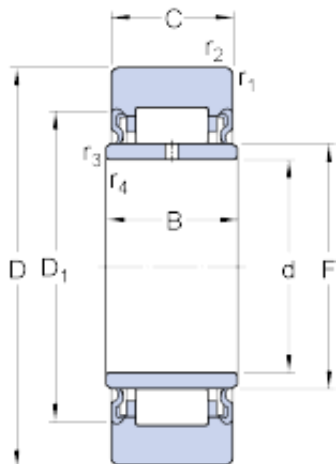




BEARING USA CORP.

40 mm x 80 mm x 23 mm SKF NA 2208.2RSX
cylindrical roller bearings

Bearing No. NA 2208.2RSX



NA 2208.2RSX Bearing 2D drawings and 3D CAD models

Size	40x80x22.7 mm
Bore Diameter	40 mm
Outer Diameter	80 mm
Width	22,7 mm
D	80 mm
d	40 mm
C	22.7 mm
B	23 mm
D ₁	57 mm
F	48 mm
r _{1,2} - min.	1.1 mm
r _{3,4} - min.	0.6 mm
Basic dynamic load rating - C	27.5 kN
Basic static load rating - C ₀	40.5 kN
Fatigue load limit - P _u	5 kN
Maximum dynamic radial loads - F _r	35.5 kN
Maximum static radial loads - F _{0r}	51 kN
Limiting speed	1900 r/min
Category	Bearings
Inventory	0.0
Manufacturer Name	SKF
Minimum Buy Quantity	N/A
Weight / Kilogram	0.653



BEARING USA CORP.

Product Group	B04144
D_1	57 mm
$r_{1,2}$ min.	1.1 mm
$r_{3,4}$ min.	0.6 mm
Basic dynamic load rating C	27.5 kN
Basic static load rating C_0	40.5 kN
Fatigue load limit P_u	5 kN
Maximum dynamic radial load F_r max.	35.5 kN
Maximum static radial load F_{0r} max.	51 kN
Mass support roller	0.63 kg