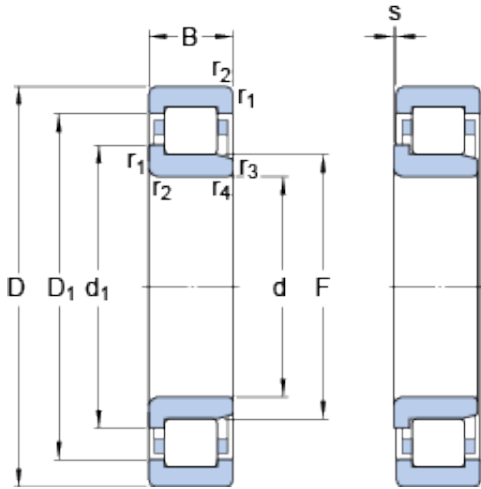




BEARING USA CORP.



60 mm x 130 mm x 31 mm SKF NJ 312 ECM thrust ball bearings

Bearing No. NJ 312 ECM

Size	130x60x31 mm
Bore Diameter	130 mm
Outer Diameter	60 mm
Width	31 mm
d	60 mm
D	130 mm
B	31 mm
d ₁	84.3 mm
D ₁	108.5 mm
F	77 mm
r _{1,2} - min.	2.1 mm
r _{3,4} - min.	2.1 mm
s	2.1 mm
d _a - min.	72 mm
d _a - max.	74 mm
d _b - min.	87 mm
D _a - max.	118.1 mm
r _a - max.	2 mm
Basic dynamic load rating - C	173 kN
Basic static load rating - C ₀	160 kN
Fatigue load limit - P _u	21.2 kN
Reference speed	5600 r/min
Limiting speed	6700 r/min
Calculation factor - k _r	0.15

NJ 312 ECM Bearing 2D drawings and 3D CAD models



BEARING USA CORP.

Category	Cylindrical Roller Bearings
Inventory	0.0
Manufacturer Name	SKF
Minimum Buy Quantity	N/A
Weight / Kilogram	2.23
Product Group	B04144
Bore Profile	Straight
Cage Material	Brass
Precision Class	RBEC 1 ISO P0
Number of Rows of Rollers	Single Row
Separable	Inner Ring - One Side
Rolling Element	Cylindrical Roller Bearing
Profile	Complete with Outer and Inner Ring
Snap Ring	No
Internal Clearance	C0-Medium
Retainer	Yes
Relubricatable	Yes
Inch - Metric	Metric
Other Features	High Capacity 1 Rib Inner Ring 2 Rib Outer Ring Cage on Outer Ring ID
Long Description	60MM Bore; Straight Bore Profile; 130MM Outside Diameter; 31MM Width; Brass Cage Material; RBEC 1 ISO P0; Single Row; Inner Ring - One Side Separable; No Snap Ring; Relubricatable; C0-Medium Intern
Category	Cylindrical Roller Bearing
UNSPSC	31171547
Harmonized Tariff Code	8482.50.00.00
Noun	Bearing
Manufacturer URL	http://www.skf.com



BEARING USA CORP.

Manufacturer Item Number	NJ 312 ECM
Weight / LBS	4.901
Bore	2.362 Inch 60 Millimeter
Outside Diameter	5.118 Inch 130 Millimeter
Width	1.22 Inch 31 Millimeter
bore diameter:	60 mm
precision rating:	RBEC 1 (ISO Class Normal)
outside diameter:	130 mm
maximum rpm:	6700 RPM
overall width:	31 mm
bearing material:	Steel
flanges:	(2) Outer Ring, (1) Inner Ring
cage material:	Brass
bore type:	Straight
finish/coating:	Uncoated
number of rows:	1
closure type:	Open
internal clearance:	C0
application:	Piston Type Machines, Rolling Mills, Spindles/Machine Tools
ring separation:	Separable Ring
outer ring width:	31 mm
operating temperature range:	Maximum of +300 ° F
fillet radius:	2 mm
dynamic load capacity:	173 kN
series:	NJ3
static load capacity:	160 kN
d ₁	84.3 mm
D ₁	108.6 mm
r _{1,2} min.	2.1 mm



BEARING USA CORP.

$r_{3,4}$ min.	2.1 mm
s max.	2.1 mm
d_a min.	72 mm
d_a max.	74 mm
d_b min.	87 mm
D_a max.	118.1 mm
r_a max.	2 mm
Basic dynamic load rating C	173 kN
Basic static load rating C_0	160 kN
Fatigue load limit P_u	21.2 kN
Calculation factor k_r	0.15
Limiting value e	0.2
Axial load factor Y	0.6
Mass bearing	2.18 kg