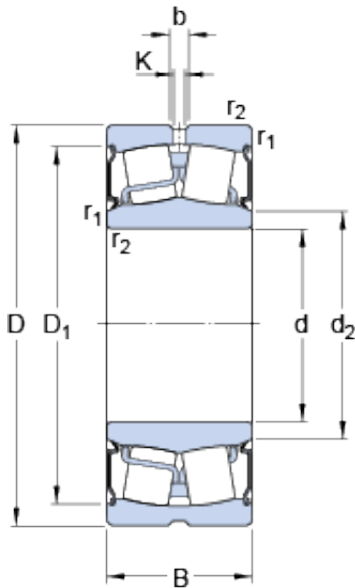




BEARING USA CORP.

120 mm x 215 mm x 69 mm SKF
BS2-2224-2RS5/VT143 tapered roller bearings

Bearing No. BS2-2224-2RS5/VT143



BS2-2224-2RS5/VT143 Bearing 2D drawings and 3D CAD models

Size	215x120x69 mm
Bore Diameter	120 mm
Outer Diameter	215 mm
Width	69 mm
d	120 mm
D	215 mm
B	69 mm
d ₂	136 mm
D ₁	194 mm
b	11.1 mm
K	6 mm
r _{1,2} - min.	2.1 mm
d _a - min.	132 mm
d _a - max.	136 mm
D _a - max.	203 mm
r _a - max.	2 mm
Basic dynamic load rating - C	652 kN
Basic static load rating - C ₀	765 kN
Fatigue load limit - P _u	73.5 kN
Limiting speed	1400 r/min
Calculation factor - e	0.26
Calculation factor - Y ₁	2.6
Calculation factor - Y ₂	3.9
Calculation factor - Y ₀	2.5



BEARING USA CORP.

d_2	136 mm
D_1	194 mm
$r_{1,2}$ min.	2.1 mm
d_a min.	132 mm
d_a max.	136 mm
D_a max.	203 mm
r_a max.	2 mm
Basic dynamic load rating C	652 kN
Basic static load rating C_0	765 kN
Fatigue load limit P_u	73.5 kN
Calculation factor e	0.26
Calculation factor Y_1	2.6
Calculation factor Y_2	3.9
Calculation factor Y_0	2.5
Mass bearing	9.75 kg