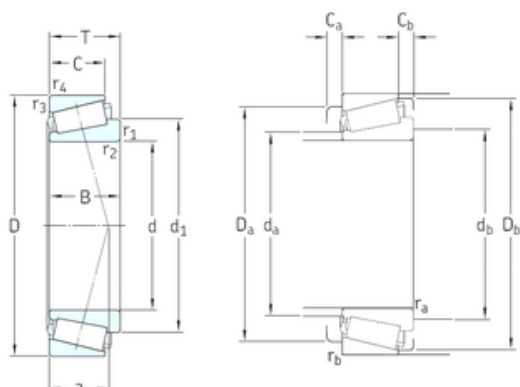




BEARING USA CORP.



191,237 mm x 279,4 mm x 58,81 mm SKF
M239448A/410 tapered roller bearings

Bearing No. M239448A/410

M239448A/410 Bearing 2D drawings and 3D CAD models

Size	191.237x279.4x52.388 mm
Bore Diameter	191,237 mm
Outer Diameter	279,4 mm
Width	52,388 mm
d	191,237 mm
D	279,4 mm
T	52,388 mm
B	58,81 mm
C	41,33 mm
a	49 mm
d1	232 mm
r1 min.	3,3 mm
r2 min.	3,3 mm
r3 min.	3,3 mm
r4 min.	3,3 mm
Ca min.	9 mm
Cb min.	11 mm
da max	211 mm
Da min	254 mm
Da max.	265 mm
db min	204 mm
Db min.	266 mm
ra max.	3,1 mm
rb max.	3,1 mm
Weight	9,2 Kg



BEARING USA CORP.

Basic dynamic load rating (C)	523 kN
Basic static load rating (C0)	980 kN
Fatigue load limit (Pu)	95
Reference speed	1600 r/min
Limiting speed	2200 r/min
Calculation factor (e)	0,33
Calculation factor (Y)	1,8