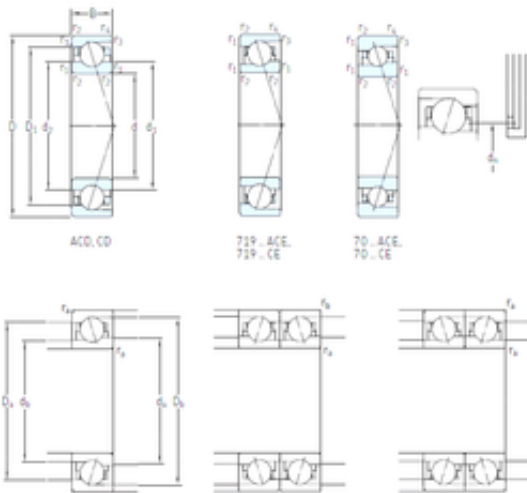




BEARING USA CORP.

10 mm x 19 mm x 5 mm SKF 71800 ACD/HCP4 angular contact ball bearings

Bearing No. 71800 ACD/HCP4



71800 ACD/HCP4 Bearing 2D drawings and 3D CAD models

Size	10x19x5 mm
Bore Diameter	10 mm
Outer Diameter	19 mm
Width	5 mm
d	10 mm
D	19 mm
B	5 mm
C	5 mm
d1	13,1 mm
d2	13,1 mm
r1 min.	0,3 mm
r2 min.	0,3 mm
r3 min.	0,15 mm
r4 min.	0,15 mm
D1	16,1 mm
D2	– mm
da min.	12 mm
Da max.	17 mm
db min	12 mm
ra max.	0,3 mm
rb max.	0,15 mm
dh	13,4 mm
Db max	18,2 mm
Weight	0,005 Kg
Basic dynamic load rating (C)	1,78 kN



BEARING USA CORP.

Basic static load rating (C ₀)	0,93 kN
(Grease) Lubrication Speed	85 000 r/min
(Oil) Lubrication Speed	130 000 r/min
Fatigue load limit (P _u)	0,04
d ₁	13.1 mm
d ₂	13.1 mm
D ₁	16.1 mm
r _{1,2} min.	0.3 mm
r _{3,4} min.	0.15 mm
a	5.9 mm
d _a min.	12 mm
d _b min.	12 mm
D _a max.	17 mm
D _b max.	18.2 mm
r _a max.	0.3 mm
r _b max.	0.15 mm
d _n	13.4 mm
Basic dynamic load rating C	1.78 kN
Basic static load rating C ₀	0.93 kN
Fatigue load limit P _u	0.04 kN
Attainable speed for grease lubrication	85000 r/min
Attainable speed for oil-air lubrication	130000 r/min
Ball diameter D _w	2.381 mm
Number of balls z	12
Reference grease quantity G _{ref}	0.06 cm ³
Preload class A G _A	16 N
Static axial stiffness, preload class A	34 N/ μ m
Preload class B G _B	48 N
Static axial stiffness, preload class B	52 N/ μ m



BEARING USA CORP.

Preload class C G_C	100 N
Static axial stiffness, preload class C	72 N/ μ m
Calculation factor f	1.05
Calculation factor f_1	0.97
Calculation factor f_{2A}	1
Calculation factor f_{2B}	1.09
Calculation factor f_{2C}	1.17
Calculation factor f_{HC}	1.02
Calculation factor e	0.68
Calculation factor (single, tandem) Y_2	0.87
Calculation factor (single, tandem) Y_0	0.38
Calculation factor (single, tandem) X_2	0.41
Calculation factor (back-to-back, face-to-face) Y_1	0.92
Calculation factor (back-to-back, face-to-face) Y_2	1.41
Calculation factor (back-to-back, face-to-face) Y_0	0.76
Calculation factor (back-to-back, face-to-face) X_2	0.67
Mass bearing	0.005 kg