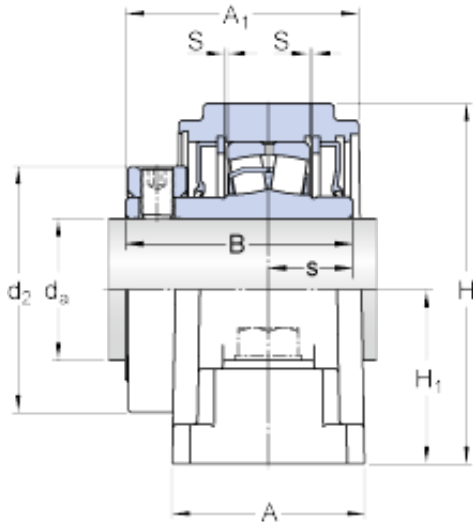




# BEARING USA CORP.



SYE 2 3/4 Bearing 2D drawings and 3D CAD models

## SKF SYE 2 3/4 bearing units

Bearing No. SYE 2 3/4

Size	69.85x111.125x76.2 mm
Bore Diameter	69,85 mm
Outer Diameter	111,125 mm
Width	76,2 mm
$d_a$	69.85 mm
$d_2$	111.125 mm
A	76.2 mm
$A_1$	99.219 mm
B	92.075 mm
H	160.338 mm
$H_1$	79.375 mm
$H_2$	47.625 mm
L	304.8 mm
J - max.	247.65 mm
J - min.	234.95 mm
s	31.75 mm
S	0.794 mm
Basic dynamic load rating - C	158 kN
Limiting speed	2800 r/min
$d_a$	69.85 mm
$d_2$	111.125 mm
$A_1$	99.219 mm
$H_1$	79.375 mm
$H_2$	47.625 mm
J max.	247.65 mm



## BEARING USA CORP.

J min.	234.95 mm
Basic dynamic load rating C	158 kN
Mass bearing unit	11.3 kg
Attachment bolt diameter G	19.05 mm