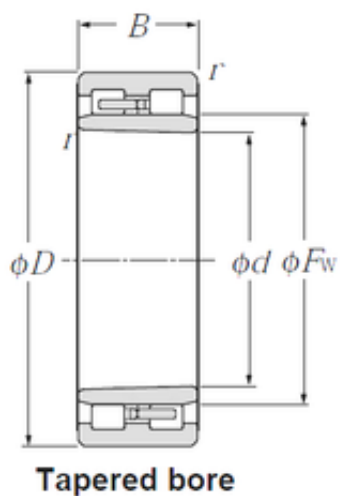




BEARING USA CORP.



240 mm x 320 mm x 80 mm NTN NNU4948K
cylindrical roller bearings

Bearing No. NNU4948K

Size	240x320x80 mm
Bore Diameter	240 mm
Outer Diameter	320 mm
Width	80 mm
d	240 mm
Fw	265 mm
D	320 mm
B	80 mm
C	80 mm
r min.	2,1 mm
Weight	16,4 Kg
Basic dynamic load rating (C)	610 kN
Basic static load rating (C0)	1 410 kN
(Grease) Lubrication Speed	1 700 r/min

NTN NNU4948K Bearing 2D drawings and 3D CAD models