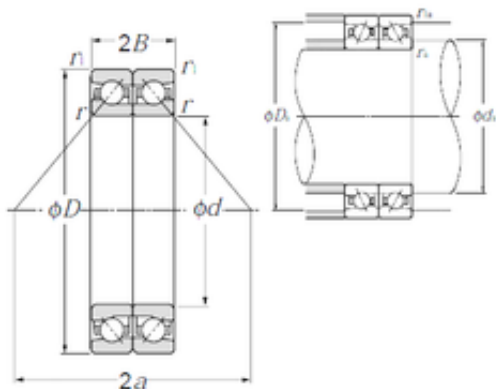




## BEARING USA CORP.

150 mm x 210 mm x 27 mm NTN HTA930DB  
angular contact ball bearings



Bearing No. HTA930DB

Size	150x210x27 mm
Bore Diameter	150 mm
Outer Diameter	210 mm
Width	27 mm
d	150 mm
D	210 mm
B	27 mm
C	27 mm
ra1 max.	1 mm
r min.	2 mm
r1 min.	1 mm
2B	54 mm
da min.	164 mm
Da max.	202,5 mm
ra max.	2 mm
Weight	5,4 Kg
Basic dynamic load rating (C)	95,5 kN
Basic static load rating (C0)	270 kN
(Grease) Lubrication Speed	3 100 r/min

HTA930DB Bearing 2D drawings and 3D CAD models