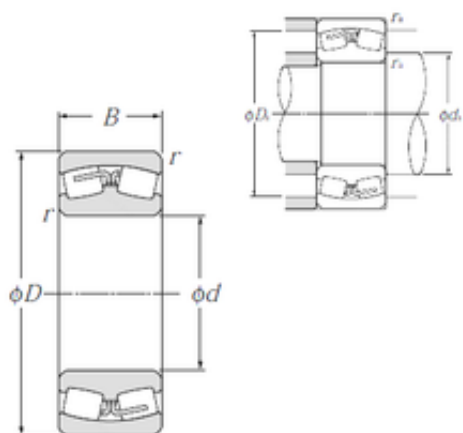




BEARING USA CORP.

130 mm x 280 mm x 93 mm NTN 22326B spherical roller bearings



Bearing No. 22326B

Size	130x280x93 mm
Bore Diameter	130 mm
Outer Diameter	280 mm
Width	93 mm
d	130 mm
D	280 mm
B	93 mm
C	93 mm
r min.	4 mm
da min.	148 mm
Da max.	262 mm
ra max.	3 mm
Weight	26,8 Kg
Basic dynamic load rating (C)	1 000 kN
Basic static load rating (C0)	1 290 kN
(Grease) Lubrication Speed	1 400 r/min
(Oil) Lubrication Speed	1 800 r/min
Calculation factor (e)	0,37
Calculation factor (Y0)	1,77
Calculation factor (Y1)	1,81

22326B Bearing 2D drawings and 3D CAD models