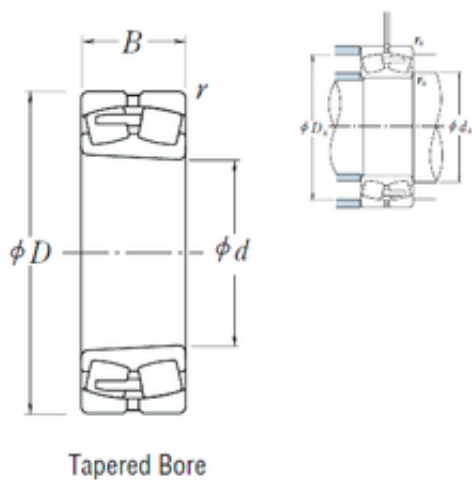




BEARING USA CORP.



200 mm x 280 mm x 60 mm NSK 23940CAKE4
spherical roller bearings

Bearing No. 23940CAKE4

Size	200x280x60 mm
Bore Diameter	200 mm
Outer Diameter	280 mm
Width	60 mm
d	200 mm
D	280 mm
B	60 mm
C	60 mm
r min.	2,1 mm
da min.	212 mm
Da min	258 mm
Da max.	268 mm
ra max.	2 mm
Weight	11 Kg
Basic dynamic load rating (C)	570 kN
Basic static load rating (C0)	1060 kN
(Grease) Lubrication Speed	1100 r/min
(Oil) Lubrication Speed	1400 r/min
Calculation factor (e)	0,2
Calculation factor (Y0)	3,3
Calculation factor (Y2)	5,1

23940CAKE4 Bearing 2D drawings and 3D CAD models