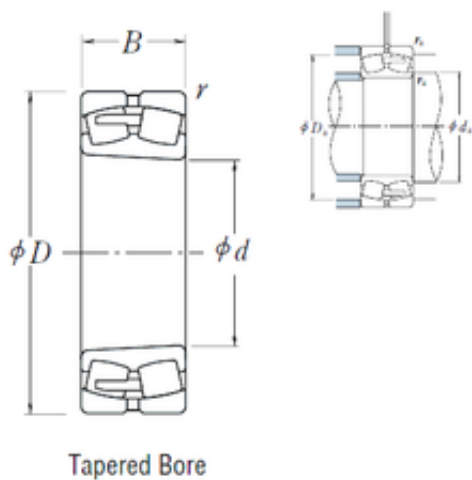




# BEARING USA CORP.

## 400 mm x 600 mm x 148 mm NSK 23080CAKE4 spherical roller bearings

Bearing No. 23080CAKE4



23080CAKE4 Bearing 2D drawings and 3D CAD models

Size	400x600x148 mm
Bore Diameter	400 mm
Outer Diameter	600 mm
Width	148 mm
d	400 mm
D	600 mm
B	148 mm
C	148 mm
r min.	5 mm
da min.	422 mm
Da min	540 mm
Da max.	578 mm
ra max.	4 mm
Weight	146 Kg
Basic dynamic load rating (C)	2970 kN
Basic static load rating (C0)	5900 kN
(Grease) Lubrication Speed	480 r/min
(Oil) Lubrication Speed	600 r/min
Calculation factor (e)	0,23
Calculation factor (Y0)	2,9
Calculation factor (Y2)	4,4