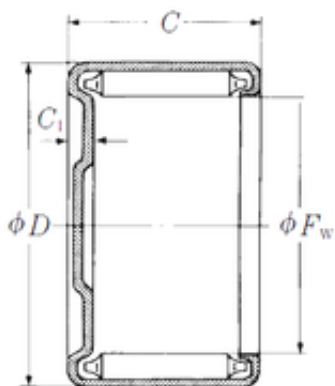




## BEARING USA CORP.

### NSK M-871 needle roller bearings



Bearing No. M-871

Dimensione	12.7x17.462x11.13 mm
Marchio	NSK
Diametro del foro	12,7 mm
Diametro esterno	17,462 mm
Larghezza	11,13 mm
Fw	12,7 mm
D	17,462 mm
C	11,13 mm
C2	2 mm
Peso	0,0082 Kg
Carico dinamico di base (C)	7,95 kN

M-871 Bearing 2D drawings and 3D CAD models