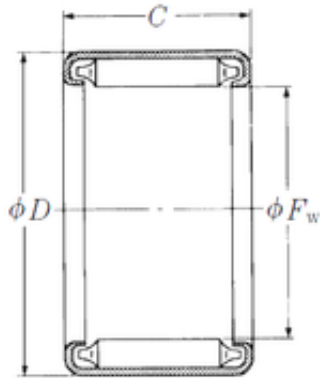




BEARING USA CORP.

NSK J-1612 needle roller bearings



Bearing No. J-1612

Size	25.4x31.75x19.05 mm
Bore Diameter	25,4 mm
Outer Diameter	31,75 mm
Width	19,05 mm
Fw	25,4 mm
D	31,75 mm
C	19,05 mm
Weight	0,028 Kg
Basic dynamic load rating (C)	18,2 kN

J-1612 Bearing 2D drawings and 3D CAD models