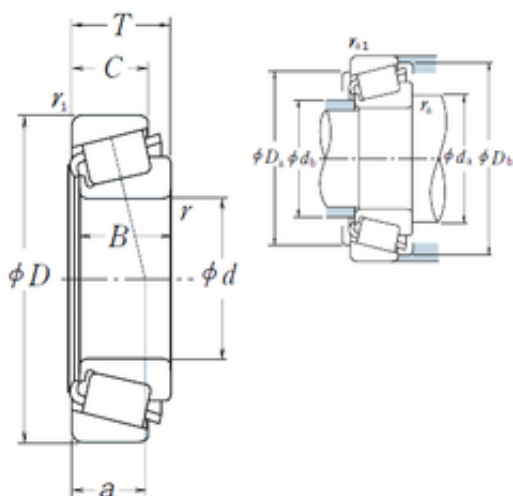




BEARING USA CORP.

120,65 mm x 206,375 mm x 47,625 mm NSK
795/792 tapered roller bearings

Bearing No. 795/792



795/792 Bearing 2D drawings and 3D CAD models

Size	120.65x206.375x47.625 mm
Bore Diameter	120,65 mm
Outer Diameter	206,375 mm
Width	47,625 mm
d	120,65 mm
D	206,375 mm
T	47,625 mm
B	47,625 mm
C	34,925 mm
ra1 max.	3,3 mm
a	45,7 mm
r min.	3,3 mm
r1 min.	3,3 mm
Da	186 mm
db	134 mm
ra max.	3,3 mm
da	139 mm
Db	198 mm
Weight	6,34 Kg
Basic dynamic load rating (C)	320 kN
Basic static load rating (C0)	530 kN
(Grease) Lubrication Speed	1600 r/min
(Oil) Lubrication Speed	2200 r/min
Calculation factor (e)	0,46
Calculation factor (Y0)	0,72



BEARING USA CORP.

LangID	1
ALP23	0
outer r	3.3
ALP22	0
D_	206.375
ALP21	34
SHOG_yobi	795R/792R
RAr	330.864
inner r	3.3
GRS rpm	1600
D_b	198
D_a	186
DE_	183.384
SLR	34
Prod_Type3	TRBSR_ID_A
BETA_	1
ALPHA_	17
SDM_	166.873
DA1	18.283
DA2	16.411
hidYobi	795/792
Y1	1.3
B_	47.625
Oil rpm	2200
hidTable	ecat_NSTPRI
Y0	0.72
inner ra	3.3
outer rb	3.3
C0	530
CUP	1.9
e	0.46
DA_	17.351



BEARING USA CORP.

BET21	3
BET22	10
BET23	0
Z_	25
C_	34.925
yobi	795/792
KBRG	3161
CONE	4.44
DI_	149.958