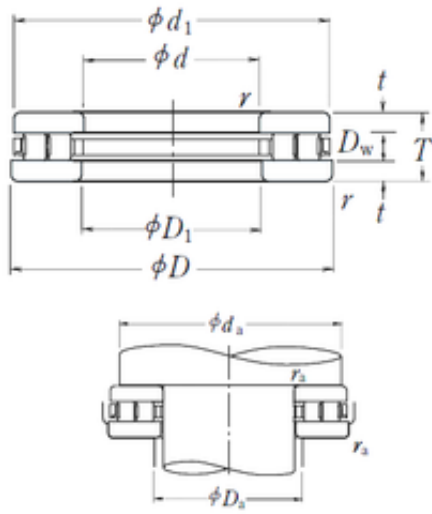




# BEARING USA CORP.

## NSK 90TMP11 thrust roller bearings

Bearing No. 90TMP11



90TMP11 Bearing 2D drawings and 3D CAD models

Size	90x120x22 mm
Bore Diameter	90 mm
Outer Diameter	120 mm
Width	22 mm
d	90 mm
D	120 mm
hidYobi	90TMP11
LangID	1
D_	120
C	96
B_	22
hidTable	ecat_NSCRT
Oil rpm	3000
mass	0.725
d1	119
GRS rpm	950
ra	1
D_a	95
C0	370
D_1	92
Prod_Type3	TB_TCRB_A
da	114
DA_	9
Z_	24
Dw	9
yobi	90TMP11



## BEARING USA CORP.

RAC	45
t	6.5
r	1
T_	22
KBRG	4614