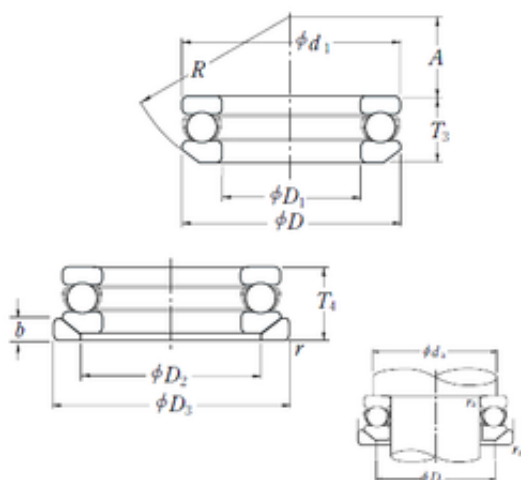




BEARING USA CORP.

NSK 53306U thrust ball bearings

Bearing No. 53306U



53306U Bearing 2D drawings and 3D CAD models

Size	30x60x25 mm
Bore Diameter	30 mm
Outer Diameter	60 mm
Width	25 mm
d	30 mm
D	60 mm
T	25 mm
b	7 mm
d1	60 mm
r min.	1 mm
A	22 mm
D1	32 mm
D2	45 mm
D3	62 mm
R	50 mm
da min.	48 mm
Da max.	42 mm
ra max.	1 mm
Weight	0,336 Kg
Basic dynamic load rating (C)	43 kN
Basic static load rating (C0)	78,5 kN
(Grease) Lubrication Speed	2800 r/min
SRI	5.6
hidYobi	53306U
LangID	1
D_	60



BEARING USA CORP.

SREX	0.05
C	43
B_	25
hidTable	ecat_NSSDTB
Oil rpm	4300
SRE	5.6
mass	0.336
GRS rpm	2800
ra	1
SRIX	0.05
T4	25
D_3	62
D_a	42
SRIN	0
C0	78.5
D_2	45
SREN	0
D_1	32
Prod_Type3	TB_SD_WASW
da	48
DA_	10.319
Z_	12
yobi	53306U
A_	22
T3	22.6
SDM_	45
r	1
KBRG	5131
R_	50