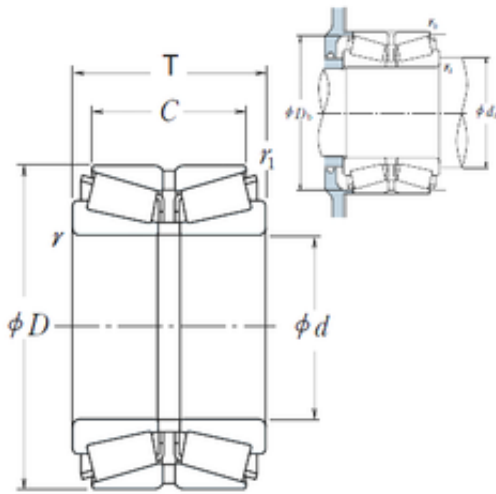




BEARING USA CORP.

NSK 220KBE3001+L tapered roller bearings



Bearing No. 220KBE3001+L

Size	220x300x110 mm
Bore Diameter	220 mm
Outer Diameter	300 mm
Width	110 mm
d	220 mm
D	300 mm
T	110 mm
C	88 mm
r min.	3 mm
r1 min.	1 mm
da min.	238 mm
Db min.	292 mm
ra max.	2,5 mm
rb max.	1 mm
Weight	21,2 Kg
Basic dynamic load rating (C)	730 kN
Basic static load rating (C0)	1710 kN
(Grease) Lubrication Speed	800 r/min
(Oil) Lubrication Speed	1100 r/min
Calculation factor (e)	0,37
Calculation factor (Y0)	1,8
Calculation factor (Y2)	2,7

220KBE3001+L Bearing 2D drawings and 3D CAD models