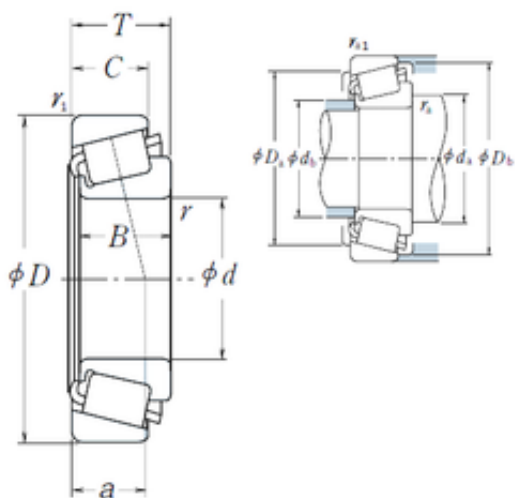




BEARING USA CORP.

146,05 mm x 254 mm x 66,675 mm NSK
99575/99100 tapered roller bearings

Bearing No. 99575/99100



99575/99100 Bearing 2D drawings and 3D CAD models

Size	146.05x254x66.675 mm
Bore Diameter	146,05 mm
Outer Diameter	254 mm
Width	66,675 mm
d	146,05 mm
D	254 mm
T	66,675 mm
B	66,675 mm
C	47,625 mm
ra1 max.	3,3 mm
a	55,3 mm
r min.	7 mm
r1 min.	3,3 mm
Da	227 mm
db	162 mm
ra max.	7 mm
da	175 mm
Db	238 mm
Weight	13,07 Kg
Basic dynamic load rating (C)	515 kN
Basic static load rating (C0)	830 kN
(Grease) Lubrication Speed	1300 r/min
(Oil) Lubrication Speed	1800 r/min
Calculation factor (e)	0,41
Calculation factor (Y0)	0,81



BEARING USA CORP.

LangID	1
ALP23	0
outer r	3.3
ALP22	22
D_	254
ALP21	30
SHOG_yobi	99575/99100
RAr	456.3
inner r	7
GRS rpm	1300
D_b	238
D_a	227
DE_	226.57
SLR	46
Prod_Type3	TRBSR_ID_A
BETA_	1
ALPHA_	15.183
SDM_	203.774
DA1	25.215
DA2	22.683
hidYobi	99575/99100
Y1	1.5
B_	66.675
Oil rpm	1800
hidTable	ecat_NSTPRI
Y0	0.81
inner ra	7
outer rb	3.3
C0	830
CUP	3.83
e	0.41
DA_	23.954



BEARING USA CORP.

BET21	3
BET22	10
BET23	0
Z_	21
C_	47.625
yobi	99575/99100
KBRG	3161
CONE	9.24
DI_	180.296