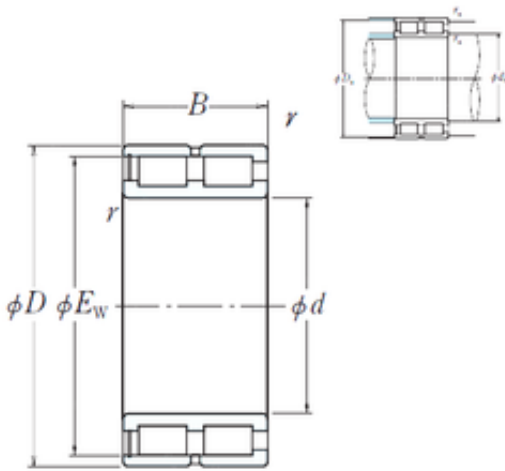




BEARING USA CORP.

190 mm x 290 mm x 136 mm NSK NNCF5038V cylindrical roller bearings

Bearing No. NNCF5038V



NNCF5038V Bearing 2D drawings and 3D CAD models

Size	190x269.9x136 mm
Bore Diameter	190 mm
Outer Diameter	269,9 mm
Width	136 mm
d	190 mm
D	290 mm
E _w	269,9 mm
B	136 mm
C	136 mm
r min.	2,1 mm
Da	273 mm
ra max.	2 mm
da	206 mm
Weight	30,8 Kg
Basic dynamic load rating (C)	1380 kN