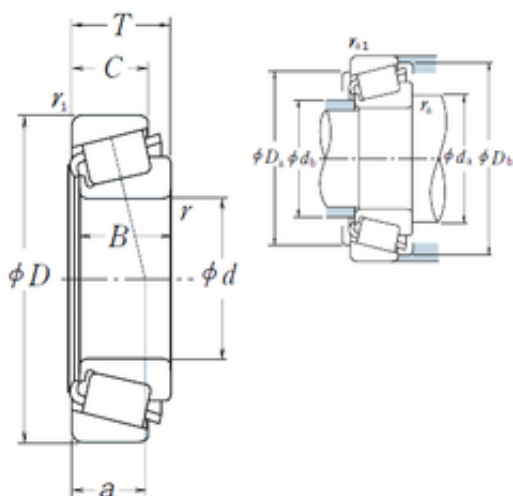




BEARING USA CORP.

98,425 mm x 161,925 mm x 36,116 mm NSK
52387/52637 tapered roller bearings

Bearing No. 52387/52637



52387/52637 Bearing 2D drawings and 3D CAD models

Size	98.425x161.925x36.512 mm
Bore Diameter	98,425 mm
Outer Diameter	161,925 mm
Width	36,512 mm
d	98,425 mm
D	161,925 mm
T	36,512 mm
B	36,116 mm
C	26,195 mm
ra1 max.	3,3 mm
a	36,1 mm
r min.	3,5 mm
r1 min.	3,3 mm
Da	144 mm
db	108 mm
ra max.	3,5 mm
da	114 mm
Db	154 mm
Weight	2,832 Kg
Basic dynamic load rating (C)	191 kN
Basic static load rating (C0)	310 kN
(Grease) Lubrication Speed	2000 r/min
(Oil) Lubrication Speed	2800 r/min
Calculation factor (e)	0,47
Calculation factor (Y0)	0,69



BEARING USA CORP.

LangID	1
ALP23	0
outer r	3.3
ALP22	8
D_	161.925
ALP21	35
SHOG_yobi	52387/52637
RAr	248.844
inner r	3.5
GRS rpm	2000
D_b	154
D_a	144
DE_	142.339
SLR	25.25
Prod_Type3	TRBSR_ID_A
BETA_	1
ALPHA_	17.567
SDM_	130.089
DA1	13.751
DA2	12.361
hidYobi	52387/52637
Y1	1.3
B_	36.116
Oil rpm	2800
hidTable	ecat_NSTPRI
Y0	0.69
inner ra	3.5
outer rb	3.3
C0	310
CUP	0.942
e	0.47
DA_	13.059



BEARING USA CORP.

BET21	3
BET22	10
BET23	0
Z_	26
C_	26.195
yobi	52387/52637
KBRG	3161
CONE	1.89
DI_	117.426