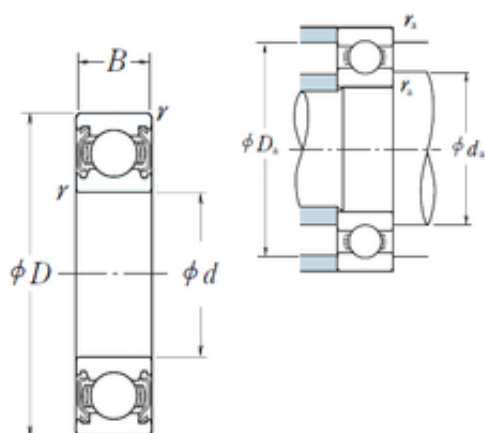




## BEARING USA CORP.



22 mm x 50 mm x 14 mm NSK 62/22ZZ deep groove ball bearings

Bearing No. 62/22ZZ

62/22ZZ Bearing 2D drawings and 3D CAD models

Size	22x50x14 mm
Bore Diameter	22 mm
Outer Diameter	50 mm
Width	14 mm
d	22 mm
D	50 mm
B	14 mm
C	14 mm
r min.	1 mm
da min.	27 mm
da max	29,5 mm
Da max.	45 mm
ra max.	1 mm
Weight	0,119 Kg
Basic dynamic load rating (C)	12,9 kN
Basic static load rating (C0)	6,8 kN
(Grease) Lubrication Speed	14 000 r/min
Category	Single Row Ball Bearings
Inventory	0.0
Manufacturer Name	NSK
Minimum Buy Quantity	N/A
Weight / Kilogram	0.118
Product Group	B00308
Enclosure	2 Metal Shields
Precision Class	ABEC 1   ISO P0



## BEARING USA CORP.

Maximum Capacity / Filling Slot	No
Rolling Element	Ball Bearing
Snap Ring	No
Internal Special Features	No
Cage Material	Steel
Internal Clearance	C0-Medium
Inch - Metric	Metric
Long Description	22MM Bore; 50MM Outside Diameter; 14MM Outer Race Width; 2 Metal Shields; Ball Bearing; ABEC 1   ISO P0; No Filling Slot; No Snap Ring; No Internal Special Features; C0-Medium Internal Clearance; Stee
Other Features	Deep Groove
Category	Single Row Ball Bearing
UNSPSC	31171504
Harmonized Tariff Code	8482.10.50.68
Noun	Bearing
Keyword String	Ball
Manufacturer URL	<a href="http://www.nskamericas.com">http://www.nskamericas.com</a>
Weight / LBS	0.2624
Bore	0.866 Inch   22 Millimeter
Outside Diameter	1.969 Inch   50 Millimeter
Outer Race Width	0.551 Inch   14 Millimeter
Inner Race Width	0 Inch   0 Millimeter
SRI	4.01
hidYobi	62/22ZZ
LangID	1
D_	50
SREX	0.04



## BEARING USA CORP.

B_	14
da min	27
hidTable	ecat_NSRDGB
SRE	4.21
mass	0.119
GRS rpm	14000
ra	1
SRIX	0.02
D_a	45
SRIN	0
C0	6.8
fo	13.5
SREN	0
DE_	44.438
Prod_Type3	DGBB_SR_ZZ
DA_	7.938
bomp	0
Z_	8
yobi	62/22ZZ
C_conv	12900
ALPHA_	0
SDM_	36.5
r	1
KBRG	6141
SBRG	2
DI_	28.562