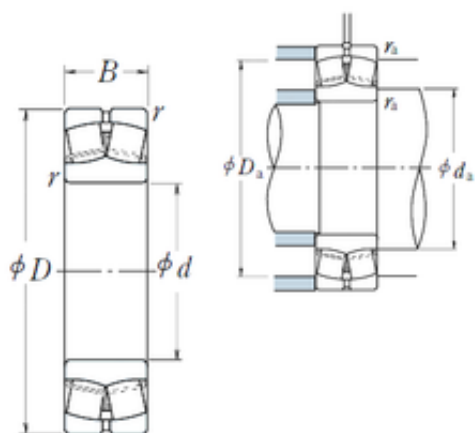




# BEARING USA CORP.



80 mm x 140 mm x 33 mm NSK 22216EAE4  
spherical roller bearings

Bearing No. 22216EAE4

22216EAE4 Bearing 2D drawings and 3D CAD models

Size	80x140x33 mm
Bore Diameter	80 mm
Outer Diameter	140 mm
Width	33 mm
d	80 mm
D	140 mm
B	33 mm
C	33 mm
r min.	2 mm
da min.	90 mm
da max	94 mm
Da min	126 mm
Da max.	130 mm
ra max.	2 mm
Weight	2,01 Kg
Basic dynamic load rating (C)	212 kN
Basic static load rating (C0)	275 kN
(Grease) Lubrication Speed	3200 r/min
(Oil) Lubrication Speed	4000 r/min
Calculation factor (e)	0,22
Calculation factor (Y0)	3
Calculation factor (Y2)	4,6
Category	Spherical Roller Bearings
Inventory	0.0
Manufacturer Name	NSK



## BEARING USA CORP.

Minimum Buy Quantity	N/A
Weight / Kilogram	2.1
EAN	0029176411298
Product Group	B04311
Internal Clearance	C0-Medium
Mounting Method	Shaft Mount
Rolling Element	Spherical Roller Bearing
Bore Profile	Straight
Cage Material	Steel
Enclosure	Open
Number of Rows of Rollers	Double Row
Relubricatable	Yes
Withdrawal Sleeve	Not Applicable
Inch - Metric	Metric
Long Description	80MM Straight Bore; 140MM Outside Diameter; 33MM Width; C0-Medium Clearance; Shaft Mount; Double Row of Spherical Roller Bearings; Steel Cage Material; Open Enclosure; Relubricatable
Category	Spherical Roller Bearing
UNSPSC	31171510
Harmonized Tariff Code	84823080
Noun	Bearing
Keyword String	Spherical
Manufacturer URL	<a href="http://www.nskamericas.com">http://www.nskamericas.com</a>
Manufacturer Item Number	22216EAE4
Weight / LBS	2.1
Outside Diameter	5.512 Inch   140 Millimeter
Bore	3.15 Inch   80 Millimeter
Adapter Part Number	Not Applicable Inch   Not Applicable Millimeter



## BEARING USA CORP.

Width	1.299 Inch   33 Millimeter
bore diameter:	80 mm
maximum rpm:	4500 RPM
outside diameter:	140 mm
operating temperature range:	Maximum of +200 ° C
overall width:	33 mm
cage material:	Steel
bore type:	Straight
bearing material:	Steel
outer ring type:	Not Split
cage type:	Roller Guided
internal clearance:	C0
precision rating:	RBEC 1 (ISO Class Normal)
closure type:	Open
finish/coating:	Uncoated
lubrication hole type:	Lubrication Groove & Hole
outer ring width:	33 mm
dynamic load capacity:	264000 N
fillet radius:	2 mm
static load capacity:	275000 N
series:	222
Y3	3.1
hidYobi	22216EAE4
LangID	1
Y1	3.1
D_	140
Y2	4.6
Macha rpm	6000
B_	33
da min	90
hidTable	ecat_NSSPHR



## BEARING USA CORP.

Oil rpm	4500
Y0	3
mass	2.01
GRS rpm	3600
ra	2
TSR rpm	4000
C0	275
DE_	127.638
X0	1
Prod_Type3	SRB_CTB_CB
X1	1
X2	0.67
SIR	12.8
e	0.22
DA_	15.8
bomp	22216EAE4
Z_	20
ALP2	20
ALP1	8
ALP3	0
D_a max	130
D_a min	126
yobi	22216EAE4
HPS	HPS
ALPHA_	0.145
SDM_	112.005
r	2
KBRG	2328
SBRG	22
DI_	96.372