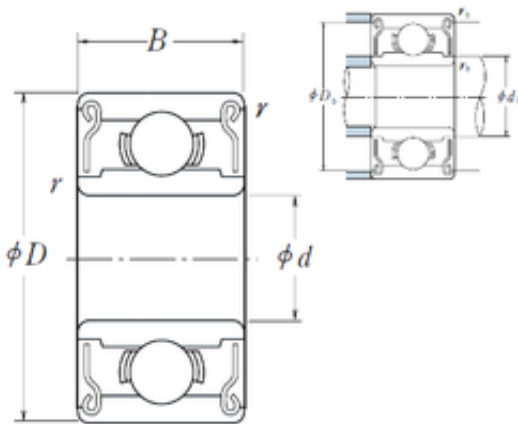




BEARING USA CORP.

1,5 mm x 5 mm x 2,6 mm NSK 691 XZZ deep groove ball bearings

Bearing No. 691 XZZ



691 XZZ Bearing 2D drawings and 3D CAD models

Size	1.5x5x2.6 mm
Bore Diameter	1,5 mm
Outer Diameter	5 mm
Width	2,6 mm
d	1,5 mm
D	5 mm
B	2,6 mm
C	2,6 mm
r min.	0,15 mm
db max.	2,5 mm
Db min.	4,3 mm
rb max.	0,15 mm
Weight	0,0002 Kg
Basic dynamic load rating (C)	0,237 kN
Basic static load rating (C0)	0,069 kN