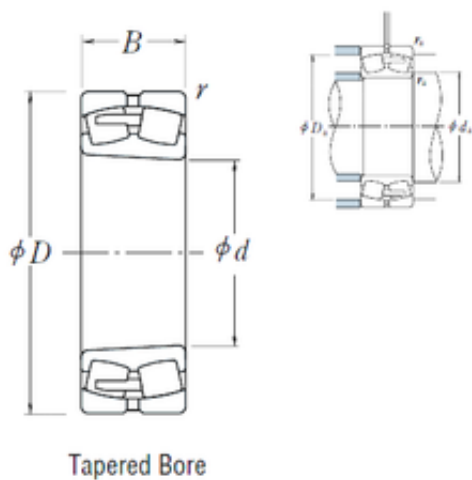




BEARING USA CORP.

380 mm x 680 mm x 240 mm NSK 23276CAKE4 spherical roller bearings

Bearing No. 23276CAKE4



23276CAKE4 Bearing 2D drawings and 3D CAD models

| | |
|-------------------------------|----------------|
| Size | 380x680x240 mm |
| Bore Diameter | 380 mm |
| Outer Diameter | 680 mm |
| Width | 240 mm |
| d | 380 mm |
| D | 680 mm |
| B | 240 mm |
| C | 240 mm |
| r min. | 6 mm |
| da min. | 408 mm |
| Da min | 578 mm |
| Da max. | 652 mm |
| ra max. | 5 mm |
| Weight | 372 Kg |
| Basic dynamic load rating (C) | 5150 kN |
| Basic static load rating (C0) | 9200 kN |
| (Grease) Lubrication Speed | 360 r/min |
| (Oil) Lubrication Speed | 480 r/min |
| Calculation factor (e) | 0,35 |
| Calculation factor (Y0) | 1,9 |
| Calculation factor (Y2) | 2,9 |