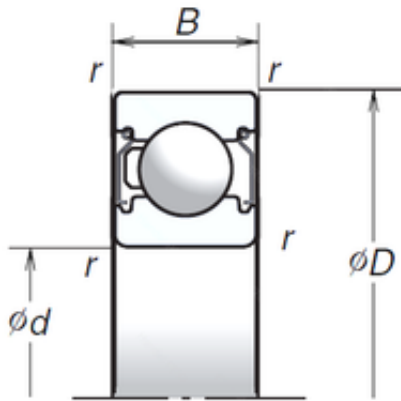




BEARING USA CORP.

10 mm x 26 mm x 8 mm NSK 6000T1XZZ deep groove ball bearings



Bearing No. 6000T1XZZ

Size	10x26x8 mm
Bore Diameter	10 mm
Outer Diameter	26 mm
Width	8 mm
d	10 mm
D	26 mm
B	8 mm
C	8 mm
r min.	0,3 mm
Basic dynamic load rating (C)	4,55 kN
Basic static load rating (C0)	1,87 kN

6000T1XZZ Bearing 2D drawings and 3D CAD models