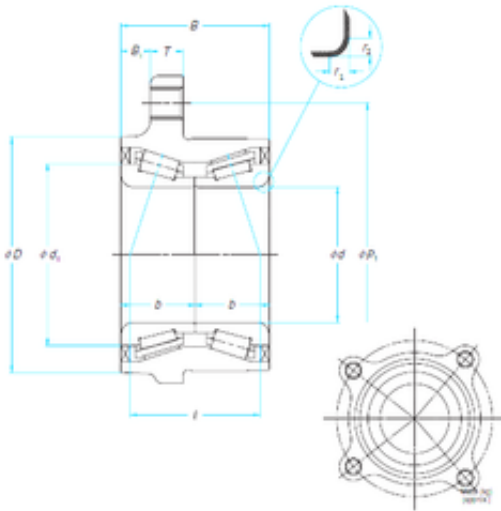




# BEARING USA CORP.

## 50 mm x 86 mm x 55 mm NSK NTF50KWH01B tapered roller bearings

Bearing No. NTF50KWH01B



NTF50KWH01B Bearing 2D drawings and 3D CAD models

Size	50x86x55 mm
Bore Diameter	50 mm
Outer Diameter	86 mm
Width	55 mm
d	50 mm
D	86 mm
B	55 mm
Pt	112 mm
Bi	32 mm
b	27,5 mm
d1	67 mm
r1 min.	5,5 mm
r2 min.	5,5 mm
T	12 mm
	49,2 Tolerance h14
Weight	1,488 Kg
Basic dynamic load rating (C)	98 kN
Basic static load rating (C0)	157 kN