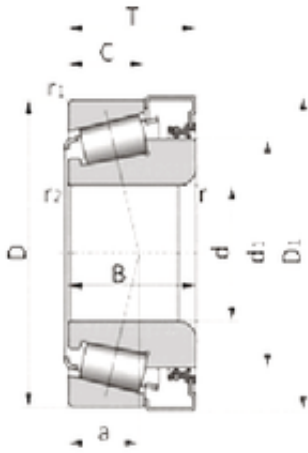




BEARING USA CORP.

25 mm x 52 mm x 20 mm NSK
R25-9D+X41Z-2 tapered roller bearings



Bearing No. R25-9D+X41Z-2

Size	25x52x21 mm
Bore Diameter	25 mm
Outer Diameter	52 mm
Width	21 mm
d	25 mm
D	52 mm
T	21 mm
B	20 mm

R25-9D+X41Z-2 Bearing 2D drawings and 3D CAD models