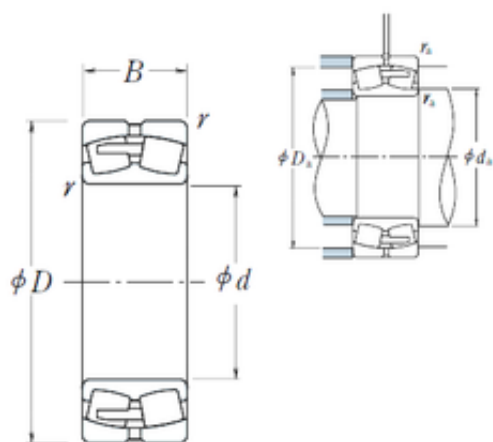




BEARING USA CORP.



95 mm x 170 mm x 55,6 mm NSK 23219CAE4
spherical roller bearings

Bearing No. 23219CAE4

Size	95x170x55.6 mm
Bore Diameter	95 mm
Outer Diameter	170 mm
Width	55,6 mm
d	95 mm
D	170 mm
B	55,6 mm
C	55,6 mm
r min.	2,1 mm
da min.	107 mm
Da min	146 mm
Da max.	158 mm
ra max.	2 mm
Weight	5,33 Kg
Basic dynamic load rating (C)	370 kN
Basic static load rating (C0)	525 kN
(Grease) Lubrication Speed	1700 r/min
(Oil) Lubrication Speed	2200 r/min
Calculation factor (e)	0,32
Calculation factor (Y0)	2
Calculation factor (Y2)	3,1

23219CAE4 Bearing 2D drawings and 3D CAD models