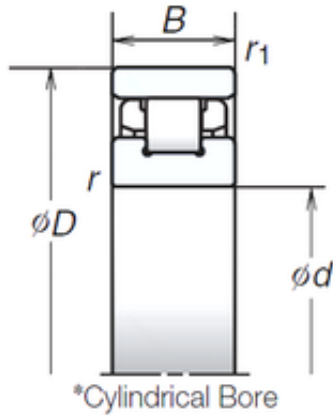




BEARING USA CORP.

75 mm x 115 mm x 20 mm NSK N1015RXHZTP cylindrical roller bearings



Bearing No. N1015RXHZTP

Size	75x105x20 mm
Bore Diameter	75 mm
Outer Diameter	105 mm
Width	20 mm
d	75 mm
D	115 mm
E	105 mm
B	20 mm
C	20 mm
r min.	1,1 mm
Weight	0,565 Kg
Basic dynamic load rating (C)	29,6 kN
Basic static load rating (C0)	31,5 kN
(Grease) Lubrication Speed	15 000 r/min

N1015RXHZTP Bearing 2D drawings and 3D CAD models